

FORMULAS FOR GREASE TRAP SIZING FOR RESTAURANTS

SIZE IN VOL. =  $D \times G \times \left(\frac{ST \times HR}{Z}\right) \times LF$

D = NO. OF SEATS

G = GAL. OF WASTE WATER PER MEAL (5 GAL)

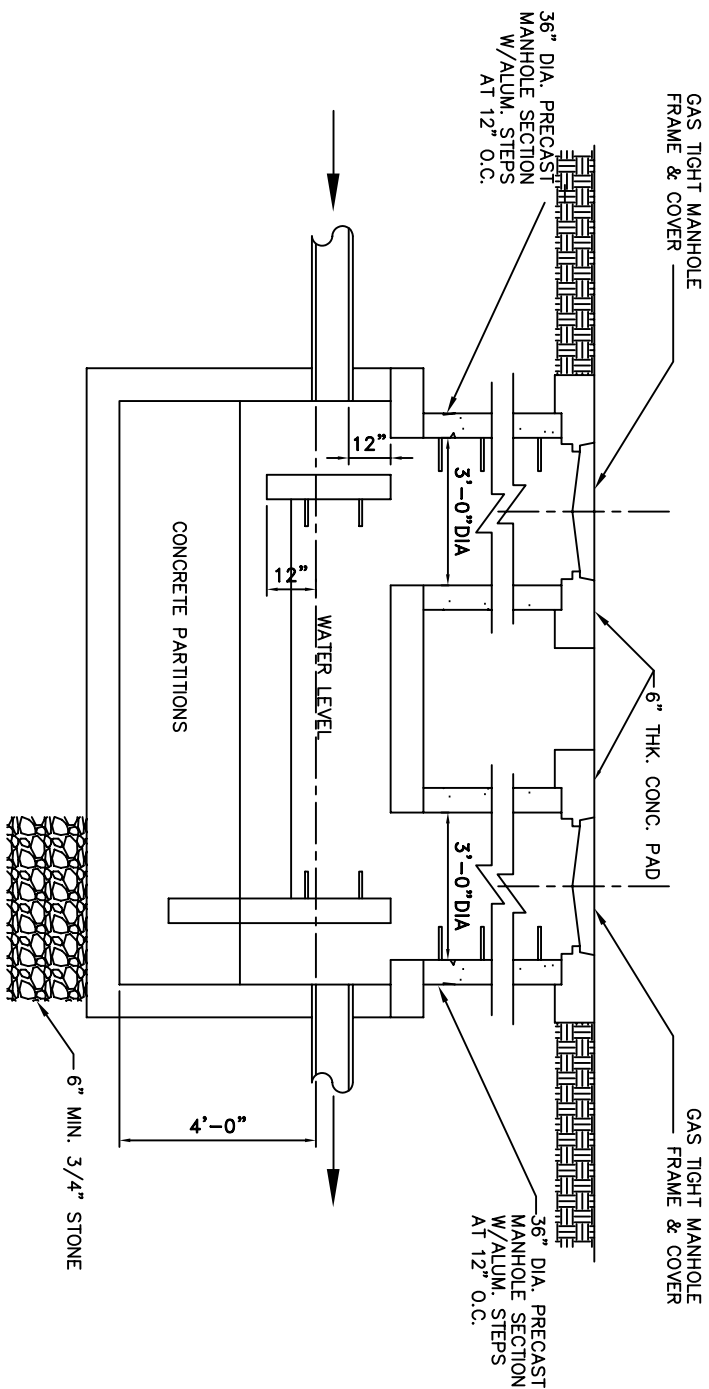
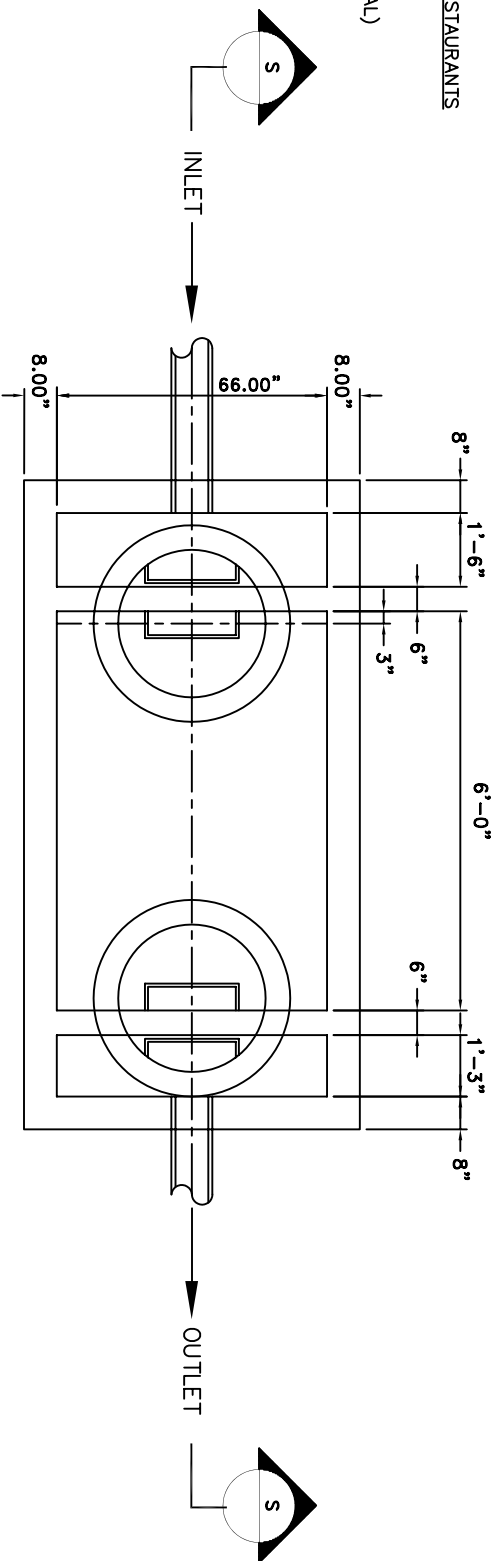
ST = STORAGE CAPACITY = 2.5

LF = LOADING FACTOR 1.25 AVE

HR = NO. OF HOURS OPEN

MIN SIZE 750 GAL

ALL GREASE TRAPS MUST BE CLEANED PRIOR TO 75% OF THE UNIT GREASE RETENTION CAPACITY.  
MIN % REMOVAL OF GREASE IS 90%



SECTION S

MUST BE A.P.I. APPROVED  
(AMERICAN PETROLEUM INSTITUTE)

TOWNSHIP OF FLORENCE  
WATER & SEWER DEPARTMENT

EXTERIOR  
GREASE/WATER SEPARATOR  
1,500 GALLON CAPACITY

DATE : 6/05  
DWN BY :

BY	DATE	REVISIONS